



### Application

- It is widely used for heating/ventilating and air conditioning(HVAC) circulation, pressure boosting of hot water in family, homes powered by solar energy, industrial auxiliary equipment cold and hot water circulation and so forth
- Water circulation for the central and district heating system
- Domestic hot water circulation

### Pump

- Anti-rust cast iron pump body
- Noryl impeller with heat resistance up to 150 °C
- 99% alumina ceramic shaft
- Liquid temperature: 2 - 95 °C

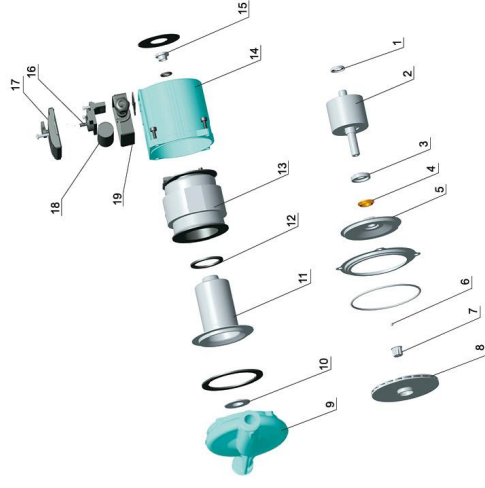
### Motor

- Insulation class: H
- Protection class: IP44
- 99% alumina ceramic bearing
- Three speed motor



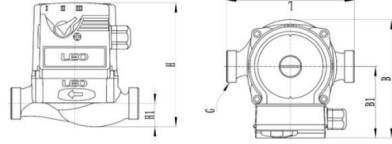
### Materials Table

No.	Part	Material
1	Back bearing adjusting mat	PPO-GF30
2	Rotor	
3	Thrust ring support	EPDM
4	Bushings	Graphite
5	Pump support cover	
6	Check ball	Silicon rubber
7	Locking	stainless steel
8	Impeller	
9	Pump body	Cast Iron
10	Pump body insert	stainless steel
11	Can big asm	
12	Can big asm seal	Silicon rubber
13	Stator sleeve	ADC12
14	Motor housing	DZR
15	Drain plug	
16	speed regulation board	
17	Terminal box cover	ABS
18	Capacitor	
19	Terminal box	PAG-GF20



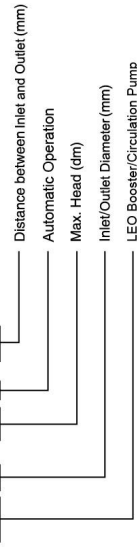
MODEL	Voltage/Frequency			Input Power (W)			Max. Flow (l/min)	Max. Head (m)	Inlet/Outlet Pipe Size (mm)	Pipe Size (inch)	N.W. (kgs)	G.W. (kgs)	Packing Size (mm)
	1~220V/60Hz	1~110V/60Hz	3	2	1								
LRP15-60A/130	1~220V/60Hz	1~110V/60Hz	96	69	45	38.3/28.3/21.7	5.5/4.7/3	φ15	1	2.32	2.45	198x143x160	
LRP25-120A/180	1~220V/60Hz	1~110V/60Hz	270	200	160	56.3/45/25	12/11/3.5	φ25	1.5	4.62	4.96	192x170x190	

### Dimension Drawing



### Identification Codes

LRP 25 - 120 A / 180



MODEL	L (mm)	B (mm)	B1 (mm)	H (mm)	H1 (mm)	G
LRP15-60A/130	130	125	75	130	25	G1
LRP25-120A/180	180	148	75	155	25	G1.5

